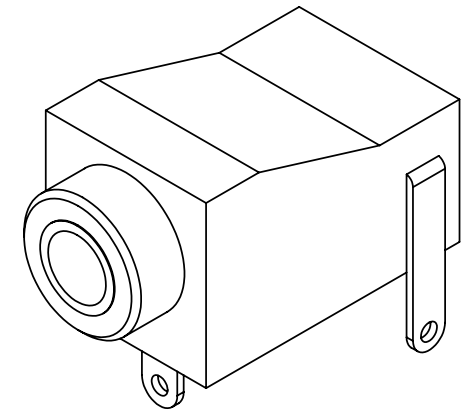
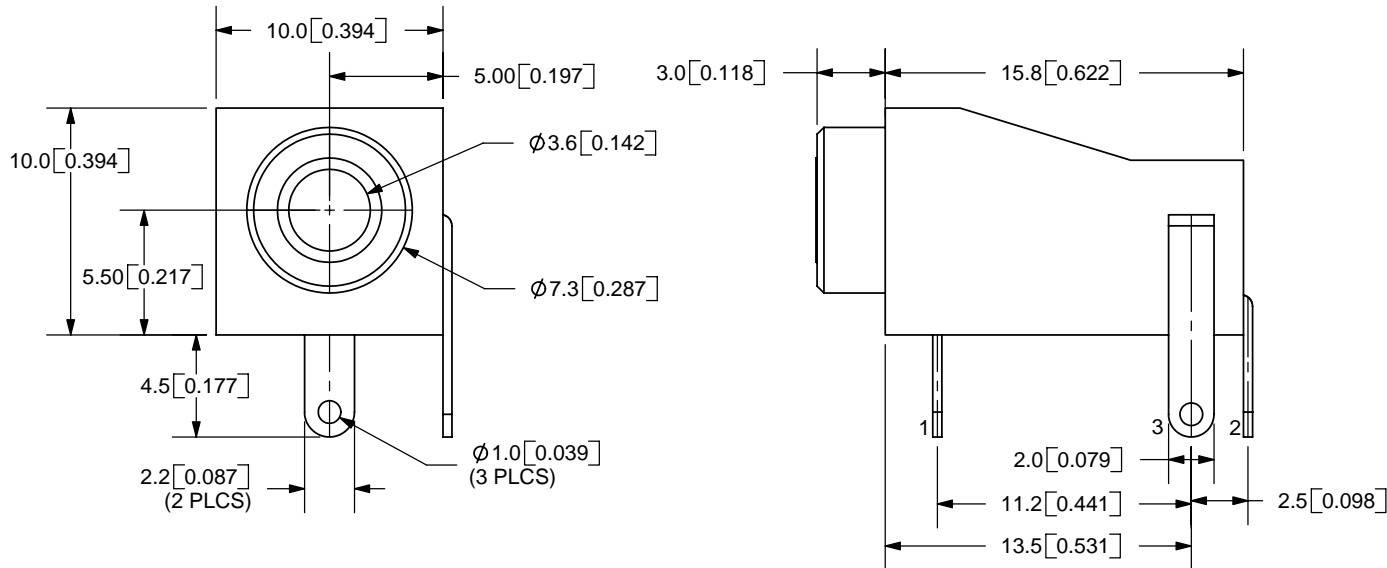


REV.	DESCRIPTION	DATE
A	NEW DRAWING	10/14/2005



RoHS
Compliant

TOLERANCE:
X.X ± 0.2 mm
X.XX ± 0.1 mm
X.XXX ± 0.05 mm

PCB LAYOUT
TOP VIEW
(SCALE 2:1)

SPECIFICATIONS:
RATING: 12V DC @ 1A
CONTACT RESISTANCE: 30m OHMS MAX
INSULATION RESISTANCE: 50M OHMS MIN: 100V DC
VOLTAGE WITHSTAND: 500V AC R.M.S. FOR 1 MINUTE
LIFE: 5,000 CYCLES



CUI INC

9615 SW Allen, Suite 103
Beaverton, OR 97005
Phone: (503) 643-4899
800-275-4899
Fax: (503) 372-1266
Website: www.cui.com

MODEL NO.	MJ-3536NG
SCHEMATIC	

	MATERIAL	PLATING
BUSHING	Brass	Nickel
TERMINAL 1	Brass	Tin
TERMINAL 2	Copper Alloy	Tin
TERMINAL 3	Brass	Tin
INSULATION CAP	PC	
HOUSING	PBT	

TITLE:	3.5mm AUDIO JACK-MONO	REV:	A
PART NO.	MJ-3536NG	UNITS:	MM [INCHES]
DRAWN BY:	ZRJ	APPROVED BY:	
		SCALE:	3:1

PC FILE NAME:
MJ-3536NG

COPYRIGHT 2005 BY CUI INC.